

418 MHz to 900 MHz Repeater

Wireless Sensors

Point Six Wireless



Rev. 10/03/07

Features & Options

- Extends Transmitter Range to 1,000 Feet

The Point Six Repeater receives the 418 MHz RF signal from one or more wireless temperature or humidity transmitters which have a range of 100 feet. The Repeater re-transmits the signal at 900 Mhz to a distance of 1,000 feet to a BAPI 900 MHz Receiver.

The 900 MHz Receiver then outputs the values to any Analog Output Module through an RS485 four-wire bus. The Analog Output Module converts the signal to an analog voltage, current or resistance for the controller. The 900 MHz Receiver can accommodate up to 32 different Analog Output Modules. The Repeater is surface, snaptrack or din rail mountable with an attached 900 MHz antenna and a 79" 418 MHz extendable antenna.



PART NUMBERS: BA/RPT49 - 418 to 900 MHz Repeater
BA/RPT49-35DIN - 418 to 900 MHz Repeater, 35mm Din Rail Mounting

Associated Products

- **900 MHz Receiver**

Receives the re-transmitted signal signal from the Repeater and outputs the values to up to 32 different Analog Output Modules.

- **Analog Output Modules:**

Converts the signal from the Receiver into a Resistance, Voltage or Current for sending to the controller.

Specifications for the Wireless Repeater

Supply Power: 9 to 15 VDC

Power Consumption: 150 mA max. DC

Inputs: 418MHz

Output: 900MHz at 100mW

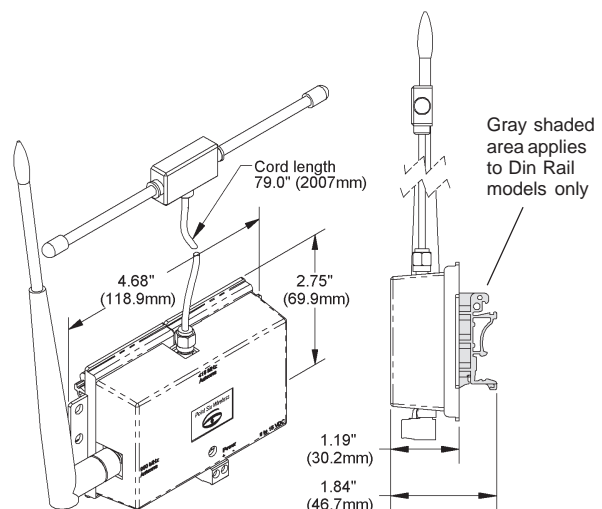
Environmental Operation Range:

Temp: 0° to 60°C

Humidity: 5% to 95% RH non-condensing

Material: ABS Plastic

Material Rating: UL94, V-0



418 MHz to 900 MHz Repeater